



BAROLI 02P

Battery Powered Digital Pressure Gauge

Stainless Steel Diaphragm Flush Welded

Nominal pressure

from 0 ... 100 mbar up to 0 ... 40 bar

Special characteristics

- ▶ rotatable housing
- ▶ 2-line LC display
4.5-digit 7-segment display
6-digit 14-segment additional display
- ▶ hygienic process connections

Functions

- ▶ min / max function with reset function
- ▶ offset and end point calibration
- ▶ setting the pressure unit
- ▶ configuration of switch-off automatic

The battery-powered digital pressure gauge BAROLI 02P with flush welded stainless steel sensor enables a local displaying of values in applications, where high requirements on hygienic process connections and easy cleaning or sterilisability are requested. The filling medium is food compatible oil with FDA approval.

The BAROLI 02P display housing is rotatable, thus ensuring an easy reading even under unfavorable mounting conditions.

Additional functions:

switching the unit, displaying min / max values, calibrating the offset and the end point, configuring the automatic switching-off

Preferred areas of use are



Food Industry



Pharmacy



Input pressure ranges ¹									
Nominal pressure gauge	[bar]	-1 ... 0	0.10	0.16	0.25	0.40	0.60	1	1.6
Nominal pressure, abs.	[bar]	-	-	-	-	0.40	0.60	1	1.6
Overpressure	[bar]	5	0.5	1	1	2	5	5	10
Burst pressure ≥	[bar]	7.5	1.5	1.5	1.5	3	7.5	7.5	15

Nominal pressure gauge / abs.	[bar]	2,5	4	6	10	16	25	40
Overpressure	[bar]	10	20	40	40	80	80	105
Burst pressure ≥	[bar]	15	25	50	50	120	120	210
Vacuum resistance		P _N ≥ 1 bar: unlimited vacuum resistance P _N < 1 bar: on request						

¹ consider the pressure resistance of fitting and clamps

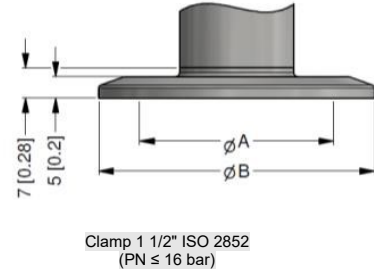
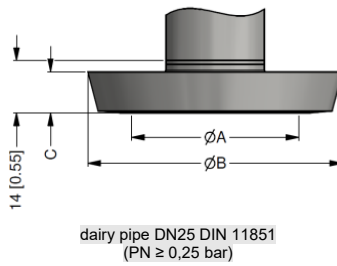
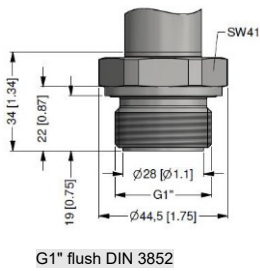
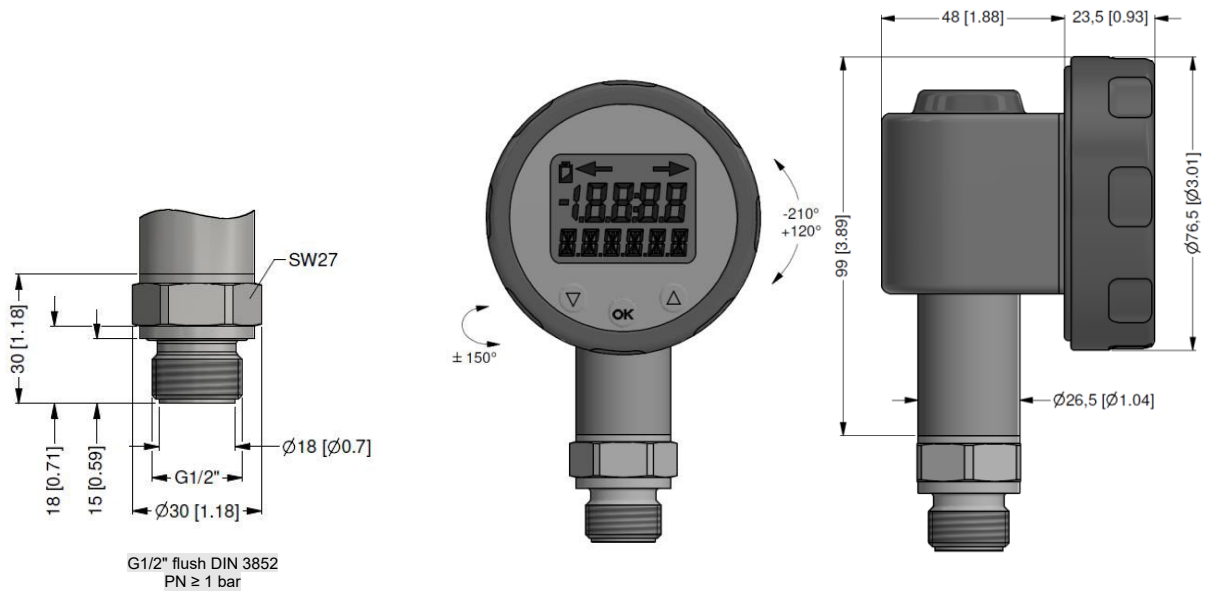
Performance	
Accuracy ²	standard: nominal pressure ≥ 0.4 bar : ≤ ± 0.25 % nominal pressure < 0.4 bar: ≤ ± 0.5 %
Measuring rate	5/sec
² accuracy according to EN IEC 62828-2- minimum value setting (non-linearity, hysteresis, repeatability)	
Thermal effects (Offset and Span)	
Nominal pressure P _N	[bar] -1 ... 0 < 0.40 ≥ 0.40
Tolerance band	[% span] ≤ ± 0.75 ≤ ± 1.5 ≤ ± 0.75
in compensated range	[°C] 0 ... 70 °C 0 ... 50 °C 0 ... 70 °C
Permissible temperatures	
Permissible temperatures ³	medium: -40 ... 125 °C for filling fluid of silicon oil environment: -10 ... 125 °C for filling fluid of food compatible oil storage: -20 ... 70 °C -30 ... 80 °C
³ max temperature of the medium for nominal pressure gauge > 0 bar: 150 °C for 60 minutes with a max. environmental temperature of 50 °C	
Mechanical stability	
Vibration	5 g RMS (25 ... 2000 Hz) according to IEC 60068-2-6
Shock	100 g / 1 msec according to IEC 60068-2-27
Materials / Filling fluids	
Housing	stainless steel 1.4404
Pressure port	stainless steel 1.4404 other on request
Display housing	PA 6.6, polycarbonate
Seals (media wetted)	standard: FKM clamp and dairy pipe: none
Diaphragm	stainless steel 1.4435
Media wetted parts	pressure port, seals, diaphragm
Filling fluids	standard: silicon oil option: food compatible oil with FDA-certificate (mobile SHC Cibus 32; class code: H1; NFS registration Nr.: 141500) other on request
Miscellaneous	
Display	LC display, visible range 40 x 30 mm; 4.5-digit 7-segment-display, digit height 11 mm, range of indication ±19999; 6-digit 14-segment additional display, digit height 7.5 mm
EHEDG certificate Type EL Class I	EHEDG conformity is only ensured in combination with an approved seal. This is e.g. for - Clamp (C62): T-ring-seal from Combifit International B.V. - dairy pipe (M73): ASEPTO-STAR k-flex upgrade seal by Kieselmann GmbH
Electromagnetic compatibility	emission and immunity according to EN 61326
Supply	3.6 V Lithium battery; 2 pieces (type 1/2 AA)
Data storage	EEPROM (non-volatile)
Ingress protection	IP 65
Installation position	any (standard: the device is calibrated in a vertical position with the pressure connection down; other than the given position for P _N ≤ 2 bar have to be declared at ordering)
Weight	min. 350 g (pendent on the pressure connection)
AD-converter solution	14 Bit
Operational life of battery	standby mode: approx. 5 years
mech. operational life	100 million pressure cycles
CE-conformity	EMV Directive: 2014/30/EU

BAROLI 02P

Digital Pressure Gauge

Technical Data

Dimensions (in mm)



dimensions in mm [in]	
size DN 25	size DN 25
A 23 [0.91]	A 23 [0.91]
B 44 [1.73]	B 44 [1.73]
C 10 [0.39]	C 10 [0.39]

dimensions in mm [in]	
size DN 1 1/2"	size DN 1 1/2"
A 23 [0.91]	A 23 [0.91]
B 50.5 [1.99]	B 50.5 [1.99]

This data sheet contains product specification, properties are not guaranteed. Subject to change without notice.

Ordering code BAROLI 02P

23.08.2024

BAROLI 02P

-	-	0	-	0	K	0	-	-	-	-	-	-	-	-	-	-	-	-	-	-

Pressure	
Gauge	M 0 G
Absolute (possible from 0,4 bar)	M 0 H
Input [bar]	
0 ... 0,1	1 0 0 0
0 ... 0,16	1 6 0 0
0 ... 0,25	2 5 0 0
0 ... 0,4	4 0 0 0
0 ... 0,6	6 0 0 0
0 ... 1	1 0 0 1
0 ... 1,6	1 6 0 1
0 ... 2,5	2 5 0 1
0 ... 4	4 0 0 1
0 ... 6	6 0 0 1
0 ... 10	1 0 0 2
0 ... 16	1 6 0 2
0 ... 25	2 5 0 2
0 ... 40	4 0 0 2
-1 ... 0	X 1 0 2
Customer	9 9 9 9
Accuracy	
0,25 % (for P _N > 0,4 bar)	2
0,5 % (for P _N ≤ 0,4 bar)	5
Customer	9
Mechanical connection	
G 1/2" DIN with flush diaphragm (only for P _N ≥ 1 bar)	Z 0 0
G 1" DIN 3852 with flush diaphragm	Z 3 1
Clamp 1 1/2"	C 6 2
Dairy pipe DN 25 (DIN 11851)(only for P _N ≥ 1 bar)	M 7 3
Customer	9 9 9
Seals	
Without	0
FKM	1
Customer	9
Diaphragm	
Stainless steel 1.4435 (316 L)	1
Customer	9
Front foil	
Standard (design BD SENSORS)	1
Neutral	N
Customer	9
Filling fluids	
Silicone oil	1
Food compatible oil	2
Customer	9
Special version	
Standard	0 0 0
Customer	9 9 9
Accessories	
Battery (2 pcs needed)	1000377

0,-...without additional charge

On request...in accordance with the producer

Surcharges for calibration are not subject to any discounts. Subject to change.



BD SENSORS s.r.o.
Hradištská 817
CZ – 687 08 Buchlovice

Tel.: +420 572 411 011

www.bdsensors.cz
info@bdsensors.cz

The company BD SENSORS s.r.o. is certified by Bureau Veritas Czech according to the standard ISO 9001.



This document contains the specification for ordering the product; detailed technical parameters of the product and its possible variants are given in the data sheet. BD SENSORS reserves the right to change sensor specifications without further notice.

cup nut for dairy pipe included and pre-assembled



BD SENSORS s.r.o.
Hradištská 817
CZ – 687 08 Buchlovice

Tel.: +420 572 411 011

www.bdsensors.cz
info@bdsensors.cz

The company BD SENSORS s.r.o. is certified by Bureau Veritas Czech according to the standard ISO 9001.

