

Customer :

Marking :

Micatrone order no:

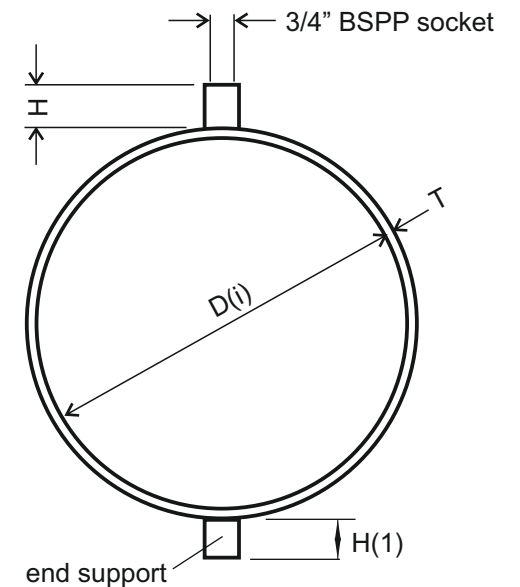
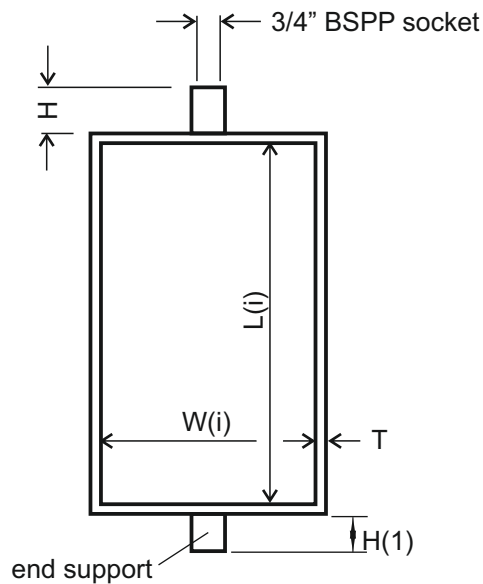
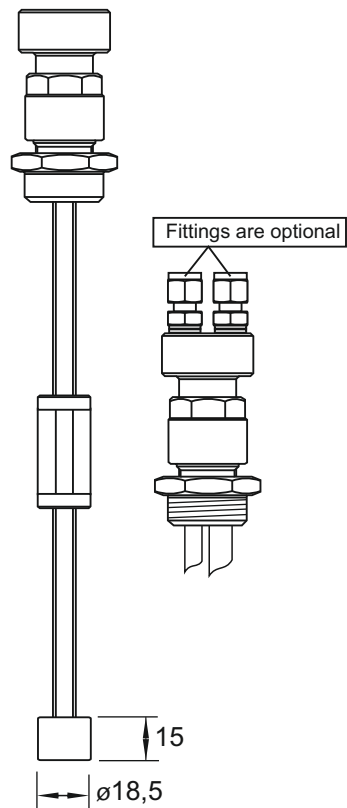
Customer order no:

**Pressure connections :**

- Swagelok tube fittings 6 mm, optional
- Nickel plated brass tube fittings 6 mm, optional
- HT plastic tube fittings 8/6, standard
- Custom (not supplied by Micatrone)

**Welding sockets top/end support :**

- Socket G3/4"x 35 mm, optional
- Socket G3/4"x 18,5 mm, optional
- Plug R3/4" for end support socket, optional
- Custom (not supplied by Micatrone)



**NOTE!** With L(i) or D(i) greater than 800 mm, bottom attachment (end support) is recommended (H1)

**Micatrone®**

**MFS-SS ORDERING SPECIFICATION**

Note: Non-cancelable, non-returnable (NCNR) on custom products

W(i) = \_\_\_\_\_ mm

T = \_\_\_\_\_ mm

L(i) = \_\_\_\_\_ mm

H = \_\_\_\_\_ mm

D(i) = \_\_\_\_\_ mm

H(1) = \_\_\_\_\_ mm