



**Features**

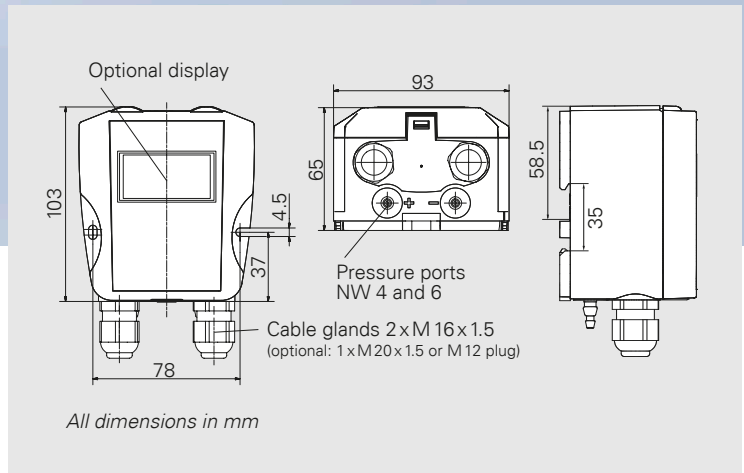
- » Compact differential pressure transmitter for basic applications in cleanrooms, machines, HVAC or filter monitoring
- » Robust ABS housing with IP67 for top-hat rail or wall mounting
- » ± and asymmetric measurement ranges
- » Either with one fixed measurement range or toggling between 4 different measurement ranges
- » Pressure units Pa, kPa (linear output signal)
- » Square-root output signal in % of max. possible value
- » Configurable via DIP switches
- » Zero point correction and via internal pushbutton or digital input
- » Fine adjustment via internal pushbutton

**Optional**

- » 3 ½ digits display
- » 2-wire system (ZWL) or relay (6 A)
- » Plug for easy commissioning

Measurement ranges (also ± others available upon request)	50/100/200/500 Pa 1/2.5/5/10 kPa
Measurement accuracy <sup>1)</sup> (at 22 °C)	± 1 % FS ± 1 Pa measurement range ≤ 250 Pa ± 1 % FS ± 0.5 Pa measurement range > 250 Pa
Temperature coefficient span	max. 0.1 %/K
Temperature coefficient zero point	±0 %/K (manual zero point correction), otherwise max. 0.1 %/K
Air humidity (medium)	0 ... 80 %rH
Max. system pressure / Overload capacity	± 25 kPa: measurement ranges ≤ 250 Pa ± 50 kPa: measurement ranges > 250 Pa
Medium	dry air, non-aggressive and non-flammable gases
Step response time (T63) (Time constant)	25 ms .. 10s (adjustable)
Rated temperature range	-10..70 °C with display: 0..50 °C
Storage temperature range	-10..70 °C with display: -5..55 °C
Calibration temperature	22 °C
Power consumption	< 1 W (optional relay: < 4 W)
Pressure ports	for tubing NW 4 and 6 mm
IP rating	IP67
Weight	approx. 200 g
Certificates	CE

<sup>1)</sup> FS: Full Span - measuring range plus ± 0.3 Pa for measuring range end values ≤ 1.5 kPa



Order code	A	B	C	D	E	F	G	H
PS 17								

Output signal <sup>2)</sup>	A
0..10 V (R <sub>L</sub> ≥ 50 kΩ)	1
2..10 V (R <sub>L</sub> ≥ 50 kΩ)	2
0..20 mA (R <sub>L</sub> ≤ 500 Ω)	0
4..20 mA (R <sub>L</sub> ≤ 500 Ω)	4

<sup>2)</sup> can be configured using DIP switches, conversion into square root signal adjustable (in % of max. possible value)

Power supply	B
24 VAC/DC 50/60Hz ± 10 % reverse pole protection	AC/DC
15..32 VDC two-wire (only for A=4)	ZWL
24 VDC with galvanic separation	VDC

Measurement range	C	
Standard <sup>3)</sup> (e.g. 0..100 Pa)		
switchable	50 Pa/100 Pa/ 200 Pa/250 Pa	1
	100 Pa/200 Pa/ 750 Pa/1,25 kPa	2
	250 Pa/500 Pa/ 1 kPa/2,5 kPa	3
	1 kPa/2,5 kPa/ 5 kPa/10 kPa	4
	± 50 Pa/± 100 Pa/ ± 200 Pa/± 250 Pa	1A
	± 100 Pa/± 200 Pa/ ± 750 Pa/± 1,25kPa	2A
	± 250 Pa/± 500 Pa/ ± 1 kPa/± 2,5 kPa	3A
	± 1 kPa/± 2,5 kPa/ ± 5 kPa/± 10 kPa	4A

<sup>3)</sup> also ± measuring ranges

Contact point	D
none	0
1 relay (exchange contacts) max. 230 VAC, 6 A (not for two-wire)	1

LCD	E
none	0
3 ½ digits <sup>4)</sup>	1

<sup>4)</sup> Display up to ± 1999 in the units Pa / kPa

Step response time	F
25 ms	025
1 s	1
4 s	4
10 s	10

Electrical connection	G
spring-type terminal, 2 x M16 cable glands clamping range Ø 5 ... 10 mm	16
spring-type terminal, M20 cable gland <sup>5)</sup> clamping range Ø 8 ... 13 mm	20
M12 plug <sup>5)</sup>	12

<sup>5)</sup> not for changeover contacts / relay (D)

Calibration certificate	H
none	0
Factory calibration	I
Calibration according to DKD-R 6-1	D

**Can be pre-set on request:**  
relay parameter



## Accessories and software

### Accessories

#### Connection parts

Silicone tubing ID 5 mm, AD 9 mm, red  
(please state length required)

**Order no.**

9601.0160

Silicone tubing ID 5 mm, AD 9 mm, blue  
(please state length required)

9601.0161

Norprene tubing ID 4,8 mm, AD 8 mm, black  
(please state length required)

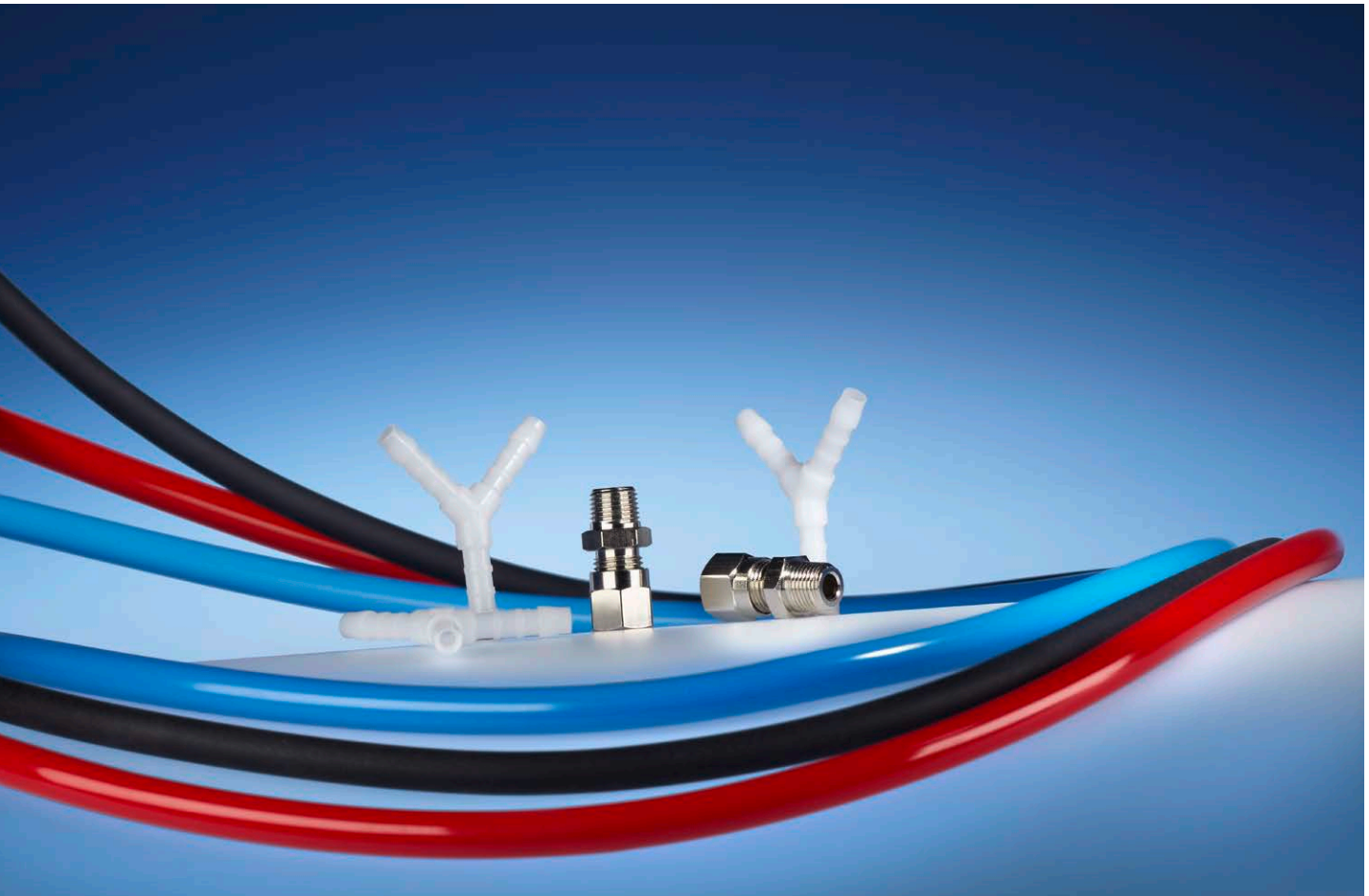
9061.0132

Y-piece for tubing, NW 5mm

9601.0171

#### Pressure connections

You can also obtain numerous customized pressure connections from us, e.g. various cutting ring fittings or hose nozzles.



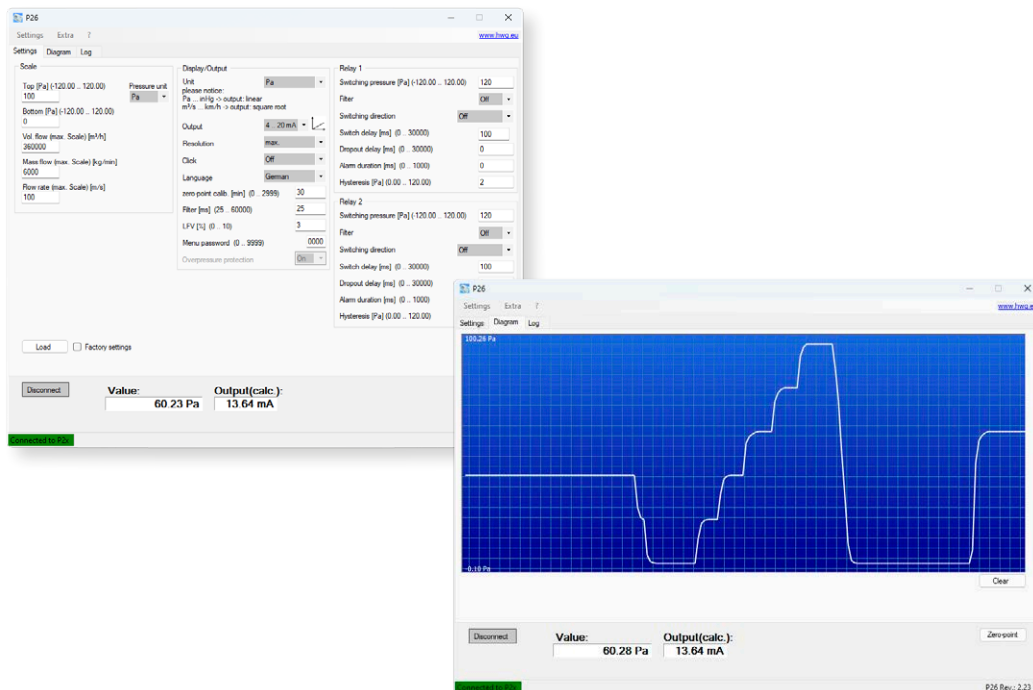
## Application software

You can set the parameters for our instruments or monitor and record measurements using a PC via a USB or RS232 interface. These features are supported by our free user software. This also allows you to transfer your settings to other devices by saving and reusing them.

Our user software is compatible with the following pressure transmitters: P 26.2, P 34 and P 29.2.

You can download the software here:

[www.halstrup-walcher.de/en/software](http://www.halstrup-walcher.de/en/software)



## Calibration services

You can also have our devices tested and confirmed in our accredited calibration laboratory in accordance with DKD-R 6-1 or as a factory calibration. Our trained experts will be happy to advise you on the calibration of our pressure measurement devices. Recalibration of third-party devices that are included in our scope of accreditation is also possible. If required, we offer adjustment for pressure measurement products manufactured by halstrup-walcher. In addition, we offer you further services within the scope of calibration, please contact us.

You can find more information at: [www.halstrup-walcher.de/en/products/calibration.php](http://www.halstrup-walcher.de/en/products/calibration.php)



To place your order, please call us at

**+49 7661 3963-0** or email us at

**info@halstrup-walcher.com.**

For additional contacts, please visit

**www.halstrup-walcher.de/en/contact**