

# Digital pressure gauge // B2

-1...2500 bar



B2



B2  
with integrated  
measuring instrument

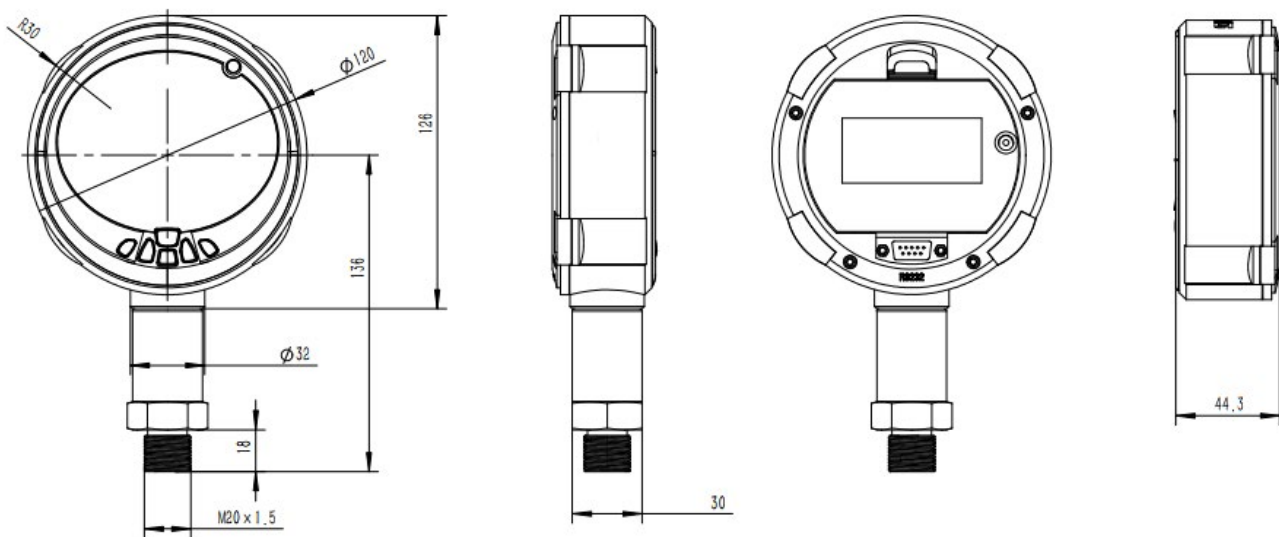
## Precise and clear

- Optimised for use as a reference pressure gauge for pressure calibrators or as a precise measuring instrument
- 28 pressure ranges,
- 3 accuracy classes
- 11 switchable pressure units kg/cm<sup>2</sup>, inHg, inH<sub>2</sub>O, Pa, kPa, MPa, bar, mbar, psi, mmHg, mmH<sub>2</sub>O
- Optional with measurement inputs for standard signals, HART and data logger
- Two-line display of reference value and test item value via measurement input
- Rechargeable battery with charger included
- Digital bar graph & temperature display
- Backlighting

# Technical data

Technical data			
Type	B2		
Pressure ranges	Between -1..2500 bar		
Accuracy ( $\pm$ of full scale value)	$\pm 0.02\%$	$\pm 0.05\%$	$\pm 0,10\%$
<b>Units</b>			
Pressure	bar / mbar, Pa, kPa / MPa, PSI, kg/cm <sup>2</sup> , inHg, inH <sub>2</sub> O, mmH <sub>2</sub> O, mmHg		
<b>Display</b>			
Type	Multifunctional LCD, 5 ½ digit, with background lighting		
Functions	Bar graph, display of time and date, temperature, battery status		
<b>Measuring system</b>			
Pressure measuring cell	Piezo resistive		
Overpressure safety	1.2-fold Pmax		
Temperature compensation	0...50 °C		
Measuring rate actual value	10 ms		
Measuring rate bar graph	250 ms (without Logger) / 100 ms (with Logger)		
<b>Process connection</b>			
Thread ISO 1179-2	G¼ (up to 1000 bar), NPT ¼ (up to 1000 bar), M20 x 1.5 (from 1600 bar)		
Material	Stainless steel 1.4301		
<b>Housing</b>			
Dimensions	Ø 120 mm, D=30 mm H=196 mm with protection cap		
Weight	0.7 kg		
<b>Power supply</b>			
Battery type	Built-in battery, rechargeable, charger included		
Battery operation	40...700 hours with one battery charge		
<b>Certificate (optional)</b>			
DAkKS certificate, works test certificate			

# Technical drawings



# Article numbers

Order code			
<b>Input channels</b>			
Without	EME8RB2		
With	EME8RB2i		
<b>Accuracy</b>			
0.02 % of full scale value		2	
0.05 % of full scale value		5	
0.1 % of full scale value		1	
<b>Druckbereich [bar]</b>			
-1...1 ( $\pm 0.02\%$ or $\pm 0.05\%$ )			001
-1...2.5 ( $\pm 0.02\%$ or $\pm 0.05\%$ )			002
-1...6 ( $\pm 0.02\%$ or $\pm 0.05\%$ )			006
-1...10 ( $\pm 0.02\%$ or $\pm 0.05\%$ )			010
-1...16 ( $\pm 0.02\%$ or $\pm 0.05\%$ )			016
-1...25 ( $\pm 0.02\%$ or $\pm 0.05\%$ )			025
-1...40 ( $\pm 0.02\%$ or $\pm 0.05\%$ )			040
-1...60 ( $\pm 0.02\%$ or $\pm 0.05\%$ )			060
0...100 ( $\pm 0.02\%$ or $\pm 0.05\%$ )			100
0...160 ( $\pm 0.02\%$ or $\pm 0.05\%$ )			160
0...250 ( $\pm 0.02\%$ or $\pm 0.05\%$ )			250
0...400 ( $\pm 0.02\%$ or $\pm 0.05\%$ )			400
0...600 ( $\pm 0.02\%$ or $\pm 0.05\%$ )			600
0...1000 ( $\pm 0.05\%$ )			1K0
0...1600 ( $\pm 0,1\%$ )			1K6
0...2500 ( $\pm 0,1\%$ )			2K5
<b>Connection thread</b>			
G1/4 (up to 1000 bar)			G
1/4 NPT (up to 1000 bar)			N
M20 x 1.5 (from 1600 bar)			M
<b>Example order number</b>	<b>EME8RB2</b>	<b>2</b>	<b>0001</b>
			<b>G</b>

# Accessories

Accessories	Order number
SIKA-Works calibration certificate, 10 calibration points (up to 1200 bar)	EKDRUCK000000W
DAkKS calibration certificate, 10 calibration points (no vacuum, up to 1200 bar)	EKDRUCK000000D