

DESCRIPTION

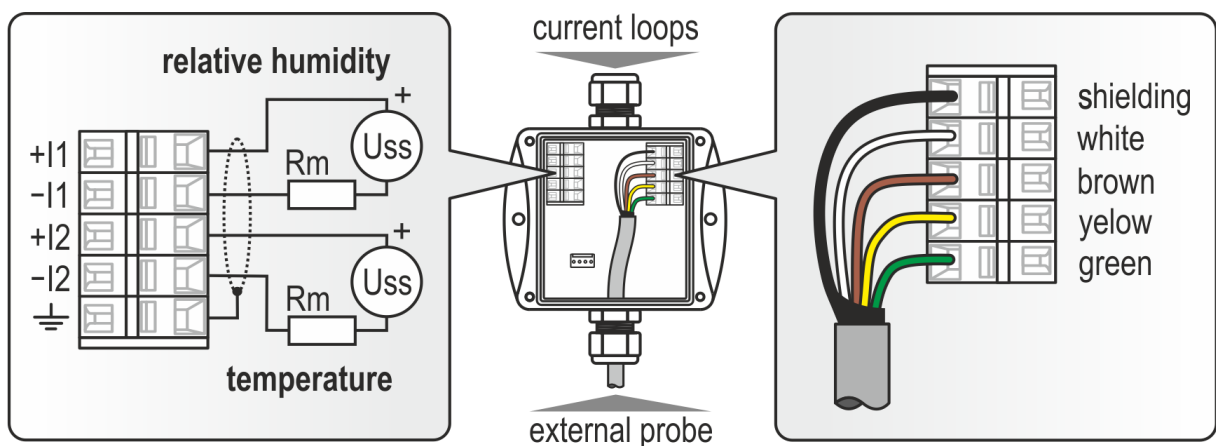
The P3116 transmitter with 4-20 mA current outputs is designed to measure temperature and relative humidity of air using the external probe that is part of the device. The probe is interchangeable without the need for calibration with a specific device and regardless of the probe cable length (the device automatically reads the current calibration data from the connected probe).

The transmitter communicates by two galvanically separated current loops. Each loop has two-wire connection and each loop requires power from evaluation device. It is always necessary to connect loop I1, which supplies power to measurement part of the device.

DEVICE INSTALATION

Devices are designed for wall mounting. There are two mounting holes at the sides of the case. The transmitter fasten in any position, the recommended probe working position is with sensor cover downwards.

The connecting terminals are accessible after unscrewing the four screws in the corners of the case and removing the lid (see figure). Pass the connecting cable through released gland and connect the wires to terminals. For current loops connection use a shielded cable with maximum length of 1200m and with external diameter of 4 to 8 mm. The cable shield connect to the appropriate terminal of the device. Finally tighten the gland and screw the lid (check the integrity of the seal).

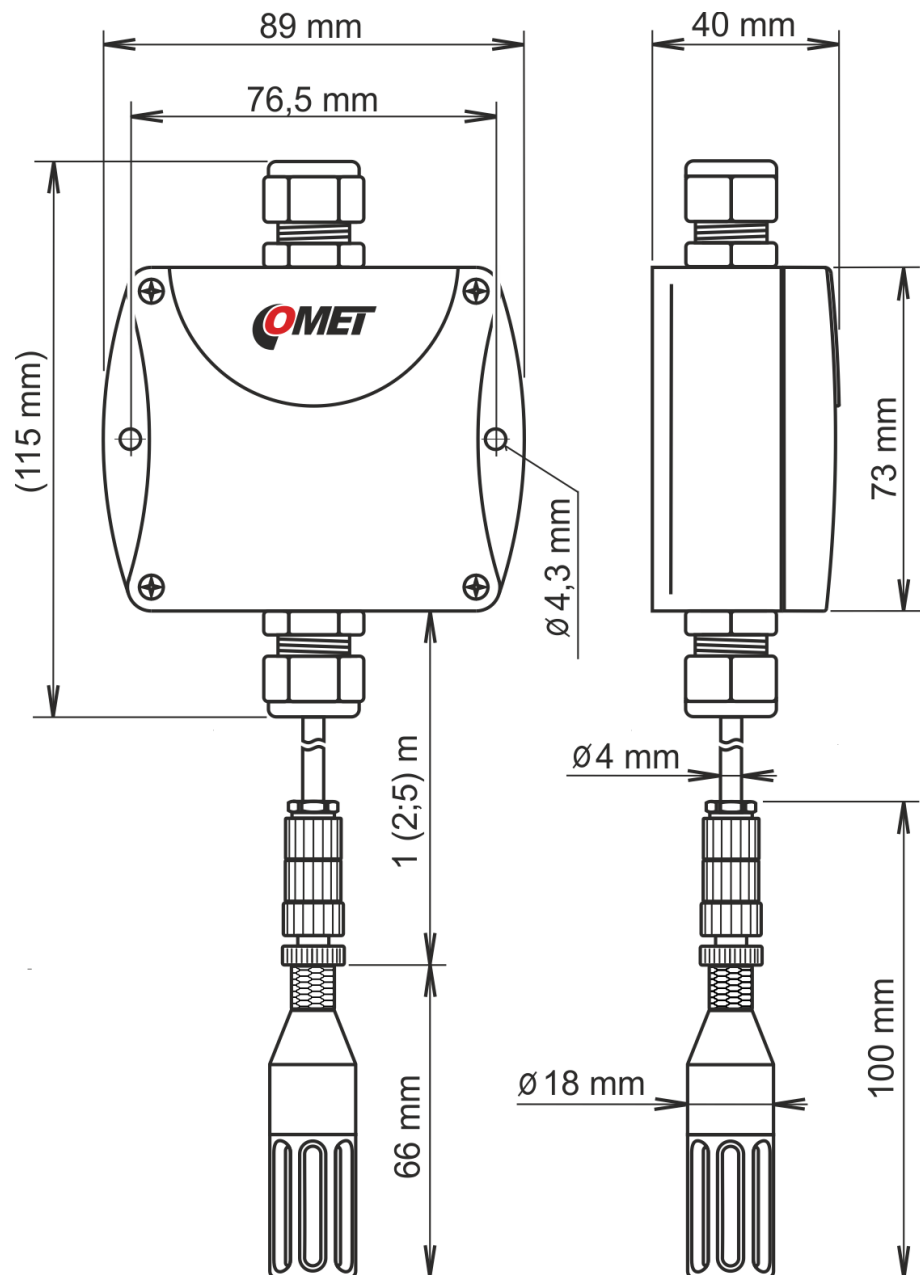


The loop resistance value $R_c = R_m + \text{resistance of wires}$ must fulfill the condition $R_c[\Omega] < 40 \times U_{ss}[V] - 360$.

The external probe cable can be disconnected and reconnected or replaced. The connection terminal block is accessible after removing the lid. Work carefully, the wires must not be interchanged (see figure)!

Devices don't require special operation and maintenance. It is recommended periodically to verify the accuracy of measurement.

DIMENSIONS



WARNING

- Don't operate the probe of the device in an environment in a state of condensation or in an environment of water aerosol for a long time.
 - Don't use and don't store the device probe without a sensor cover.
 - Don't connect transmitter while power supply voltage is on.
 - The cables should be located as far as possible from potential interference sources.
 - Installation, commissioning and maintenance may only be carried out by personnel with qualification by applicable regulations and standards.
-

MEASURED VALUES

Temperature:

Measuring range:	-20 to +80 °C *
Accuracy:	±0.4 °C *
Resolution:	0.1 °C
Response time:	t ₉₀ < 15 min (temperature step 20 °C, air flow 1m/s) *

Relative humidity:

Measuring range:	0 to 100 %RH
Accuracy:	±1.8 %RH from 0 to 90 %RH at 23 °C
Hysteresis:	< ±1 %RH
Linearity error:	< ±1 %RH
Resolution:	0.1 %RH
Temperature error:	0.05 % RH/°C (0 °C to +60 °C)
Response time:	t ₉₀ < 9 s (step 65 %RH, constant temperature) *

* data valid for DIGIL/E probe supplied with transmitter, for the DIGIS/E and DIGIH/E probes see the instruction manuals

GENERAL

Power supply voltage:	9 to 30 Vdc
Current output in case of error:	< 3.8 mA or > 22 mA
Recommended calibration interval:	1 year
Protection:	transmitter – IP65 external probe – IP40

Working position:	transmitter – any position probe – any position (see “DEVICE INSTALLATION”)
Storage temperature range:	-20 to +80 °C
Storage humidity range:	0 to 100 %RH (no condensation)
Electromagnetic compatibility:	EN 61326-1
Weight:	190 g (1 meter cable), 220 g (2 m), 310 g (5 m)
Housing material:	transmitter – ASA body of probe - PET (Ertalyte) filtering cover - PC

OPERATING CONDITIONS

Temperature range:	transmitter -30 to +80 °C external probe -20 to +80 °C
Relative humidity range:	transmitter 0 to 100 %RH (no condensation) external probe 5 to 85 %RH (in continuous operation)

CALCULATION OF THE MEASURED VALUES

Temperature:	$T[°C] = 6.25 \times I[mA] - 45$
Relative humidity:	$RH[\%RH] = 6.25 \times I[mA] - 25$

END OF OPEATION

Disconnect the device and dispose it according to current legislation for dealing with electronic equipment.

TECHNICAL SUPPORT AND SERVICE

Technical support and service is provided by distributor. For contact see warranty certificate.

© Copyright: COMET SYSTEM, s.r.o., Bezrucova 2901, 756 61 Roznov pod Radhostem, Czech Republic

It is prohibited to copy and make any changes in this manual, without explicit agreement of company COMET SYSTEM, Ltd. All rights reserved.

COMET SYSTEM, Ltd. makes constant development and improvement of their products. Manufacturer reserves the right to make technical changes to the device without previous notice. Misprints reserved.