

COMPRESSED AIR BROCHURE

Measuring small changes
can add to immeasurable
results

A woman wearing a white hard hat and a yellow safety vest is working on a laptop in a factory setting. The background is a blurred industrial environment with metal structures and equipment. The overall color scheme is blue and yellow.

VAISALA

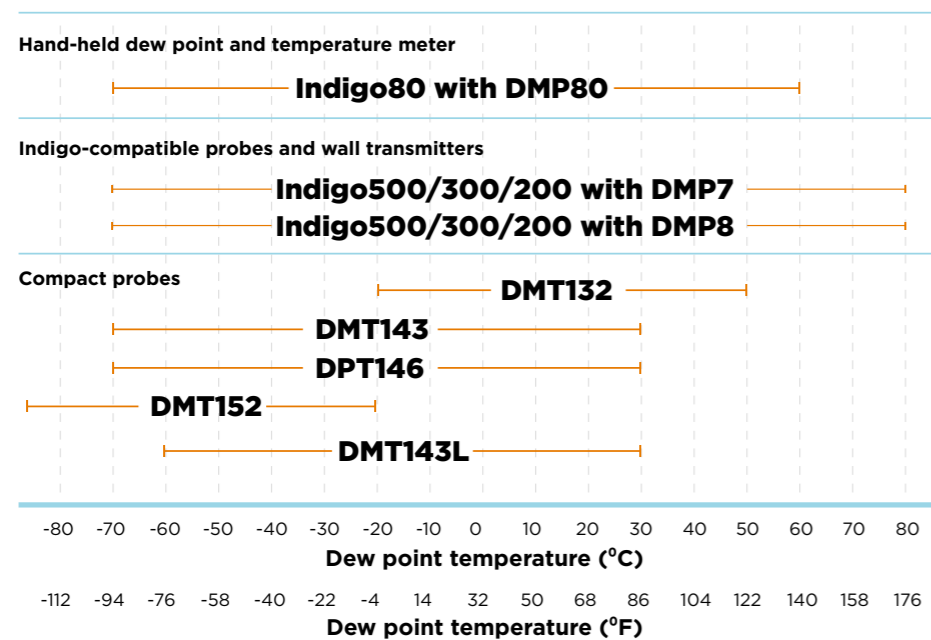
Measuring small changes can add to **IMMEASURABLE RESULTS**

When dealing with compressed air, measuring small changes in dew point temperature can really make a difference. The benefit from our unique DRYCAP® sensor technology covers the full dew point range for practically any compressed air system. Increasing the life of your compressed air system, improving process quality and lowering costs is now easier than ever.

Vaisala instruments can accurately measure every quality class of compressed air

Whatever your application, you'll find the optimal dew point instrument from the Vaisala portfolio. All Vaisala sensors withstand exposure to contaminants like water spikes, ambient humidity, compressor oil and chemical impurities.

Optimal measurement range for each product



1. Material savings through quick reaction time

Vaisala dew point measurement products have some of the fastest wet-to-dry and dry-to-wet response times in the market. You can spot changes in production conditions immediately and avoid wasting materials and production time.

2. Energy savings through continuous measurement stability

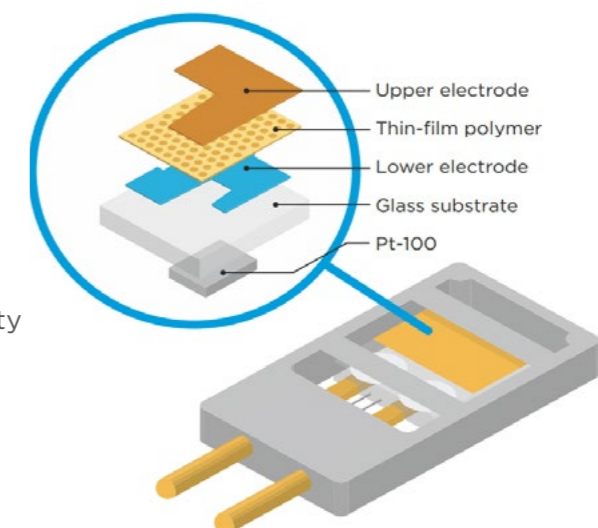
You can rely on Vaisala's patented auto-calibration function to maintain the measurement stability and keep the production conditions optimized.

3. Cost savings through accurate measurement

Vaisala's dew point measurement products help you optimize the moisture levels of your production process, and to prevent unwanted developments such as corrosion of equipment or growth of bacteria. This will help to ensure high-quality compressed air and first-class end-products.

Vaisala DRYCAP® sensor

- excellent accuracy and stability
- high chemical tolerance
- sensor purge and warming
- fast response time (avg. dry-to-wet 5 s / wet-to-dry 45 s)



Indigo-compatible probes and sampling cells

DMP7 DEWPOINT AND TEMPERATURE PROBE

for remote installations in tight spaces



- For remote installations in tight spaces
- Superior chemical resistance
- Pressure up to 10 bar
- Modbus RTU over RS-485 for flexible connectivity
- Compatible with Indigo Series transmitters
- DRYCAP® sensor technology
- Thread adapters and other accessories available

DMP8 DEWPOINT AND TEMPERATURE PROBE

with adjustable installation depth for pressurized pipelines <40 bars



- Adjustable installation depth
- Pressure up to 40 bar
- Compatible with Indigo Series transmitters
- DRYCAP® sensor technology
- BALLVALVE-1 Ball Valve set
- Thread adapters and other accessories available

SAMPLING CELLS

[Learn more about sampling cells](#)



- DMT242SC ISO threaded sample cell
- SC-025NPT NPT threaded sample cell
- DMT242SC2 sample cell with swagelok 1/4" male connectors
- DSC74 sample cell with quick connector and leak screw
- DSC74B Two-pressure sampling cell
- DSC74C Two-pressure sampling cell with coil
- DSS70A For pressurized processes up to 20 bar cooling coil

Indigo series transmitters

INDIGO500 SERIES TRANSMITTERS

for easy data evaluation and visualization



- Color touch screen display
- 2-4 analog outputs (mA/Vdc selectable)
- 2x relays
- 24Vdc or 120Vac power options
- Data logging
- Ethernet port, web user interface, Modbus TCP/IP

INDIGO300 SERIES TRANSMITTERS

for analog outputs and visualization



- Color display
- IP65 metal housing
- 24 V AC/DC power supply input
- 3 pre-configured analog outputs (mA or V)
- Service port on the front

INDIGO200 SERIES TRANSMITTERS

for analog outputs and visualization



- 1 interchangeable probe connection (direct or with extension cable)
- Up to 3 parameters can be shown
- Display or display-less version
- 3 analog outputs (mA/Vdc selectable)
- 2x relays
- 24Vdc Power

Compact probes for original equipment manufacturers

DMT132 DEWPOINT TRANSMITTER

for refrigerant dryers



- Affordable, yet highly accurate: ± 1 °C (± 1.8 °F) in refrigerant dryer measurement range
- Excellent long-term stability - resistant to compressor oil
- Low powered, 10 ... 28 VDC
- Pressure up to 20 bar
- HUMICAP® sensor technology

MINIATURE DMT143 & DMT143L (LONG) DEWPOINT TRANSMITTERS

for industrial dryers and tight spaces



- Small size for compact industrial dryer applications
- Stable and cost-efficient measurement
- LED alarm for exceeded dew point level
- DMT143: pressure up to 50 bar
- DMT143L: pressure up to 20 bar
- DRYCAP® sensor technology

DPT146 DEWPOINT AND PRESSURE TRANSMITTER

for simultaneous dew point and process pressure measurements



- The first transmitter with combined dew point and pressure measurement
- Compatible with Vaisala Handheld Indigo80 for easy spot-checking, local display and data logging
- Pressure up to 12 bar
- DRYCAP® and BAROCAP® sensor technology

DMT152 DEWPOINT TRANSMITTER

for very dry applications



- Measurement range down to -80 °C (-112 °F)
- Pressure up to 50 bar
- DRYCAP® sensor technology

Related products

INDIGO80 HANDHELD INDICATOR WITH DMP80

for field sampling and calibration, data analysis and diagnostics



- Wide dew point measurement range
- Dual-probe, high-accuracy portable diagnostics and data logging tool
- Industry standard USB-C interface
- Interactive multilingual menu-based user interface (EN, DE, ES, FI, FR, JA, SV, ZH, IT, PT)



Visit vaisala.com/compressedair for more information about the available instruments and accessories. Please don't hesitate to contact us for questions.

REMOTE DISPLAYS



- Nokeval 301 4-20mA, loop-powered
- Nokeval 302 4-20mA, loop-powered, alarm relays

CONNECTION CABLES



- M12/5 pin Male/Female extension cables
- M12/5 pin open leads
- M8/4 pin Male/Female extension cables
- M8/4 pin open leads ... and more



About
VAISALA

Ref. B212711EN-A ©Vaisala 2023

Vaisala is a global leader in environmental and industrial measurement technologies. Building on close to 90 years of experience, Vaisala provides observations for a better world. We are a reliable partner for customers around the world, offering a comprehensive range of innovative observation and measurement products and services. Headquartered in Finland, Vaisala employs over 2,000 professionals worldwide and is listed on the Nasdaq Helsinki stock exchange.

VAISALA
www.vaisala.com